



Modular ice maker 620 kg - Scale system

Hotel	██
Restaurant	██
Fast food	██
Bar	██
Disco	██
Fish market	██
Supermarket	██
Medical & SPA	██
Industry	██

► Position n°



► Features & Plus

- Sub-cooled scale ice 99% dry
- 1l (water) - 1kg (ice) - only Air cooled
- AISI 304 SS Scotch Brite finish
- Tropical class +43°C
- Specific volume 1 m³ = 430 kg of ice
- Vertical fixed "no leak" evaporator
- Anticorodal alloy evaporator
- Cleanable antiscaling filter
- FDA approved - ABS plastic components
- Easy cleanable internal rounded surfaces
- RoHS Free
- Automatic water charge
- Standard and special voltages



AISI 304 SS
Scotch Brite finish



Vertical fixed "no
leak" evaporator



Cleanable
antiscaling filter

► Usable Bins

- Bin 350
- Bin 550V DS
- Double Roller Bin 100
- Double Roller Bin 500
- Double Roller Bin 1200

2 Years Warranty

subject to limitations

► Certifications available for this model



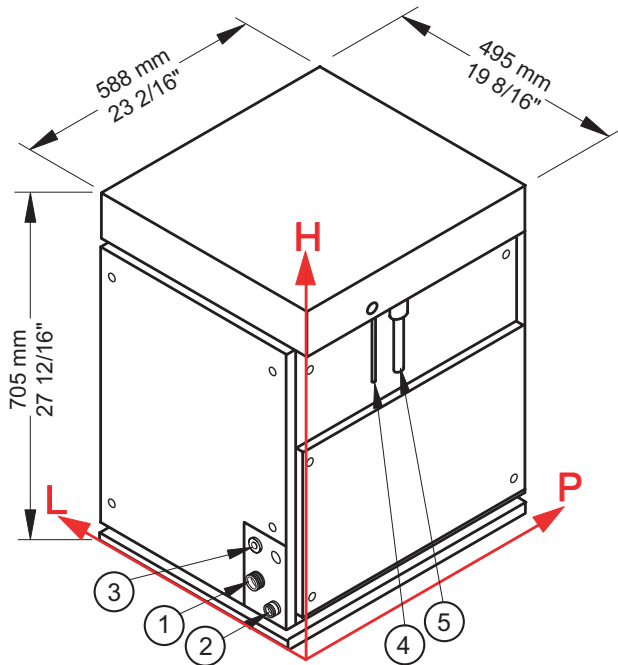


Ice Scales

M 600 Split



Modular ice maker 620 kg - Scale system



► Working conditions

- Location: **Indoor**

	Min	Max
Ambient temperature	+10° C / +50° F	+43° C / 110° F
Water temperature	+3° C / +37° F	+32° C / +90° F
Voltage	-10%	+10%
Water inlet pressure	1bar (14 psi)	6bar (84 psi)

► Connections

- ① Water inlet
- ② Water outlet
- ③ Electrical connection
- ④ Refrigerant feeding pipe
- ⑤ Outlet pipe of gaseous refrigerant

► Technical information

Production in 24h	620 kg / 1367 lbs
Refrigerant	R404A - R507
Refrigerant capacity	3500 W (evap. temp. -22° C)
Water consumption	1 l/kg - 12,0 gal/100 lbs
Standard voltage	220-240 V ~ 50 Hz
Electrical consumption	180 W
Finish	AISI 304 stainless steel, scotch brite

Sizes (L-P-H mm)	495 - 588 - 705
(L-P-H in)	19 8/16 - 23 2/16 - 27 12/16
Sizes with pack (L-P-H mm)	550 - 655 - 900
(L-P-H in)	21 10/16 - 25 13/16 - 35 7/16
Net weight	73 kg / 161 lbs
Gross weight	89 kg / 196 lbs

All the technical information need to be considered at the following conditions:
 Ambient temperature +21° C
 Water temperature +15° C
 Electrical consumption at +43° C (standard voltage)

Models and specifications are subject to change without notice

Rev. 01 - Issued January 2016



BREMA ICE MAKERS SPA

Via dell'Industria 10,
20020 Villa Cortese (MI), Italy

tel. +39 0331 434811
fax +39 0331 433833

www.bremaice.it
info@bremaice.it



Bim + Data
download



We are Brema